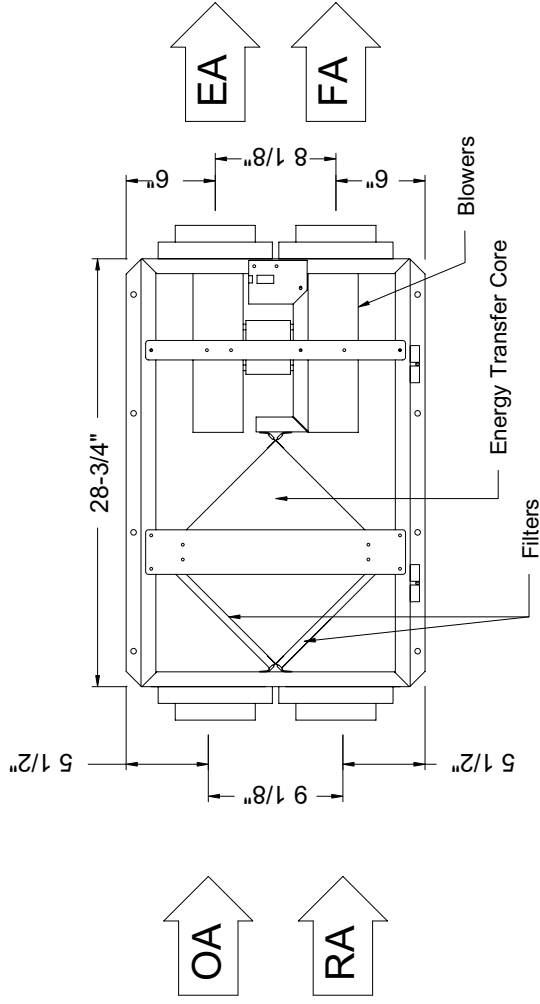
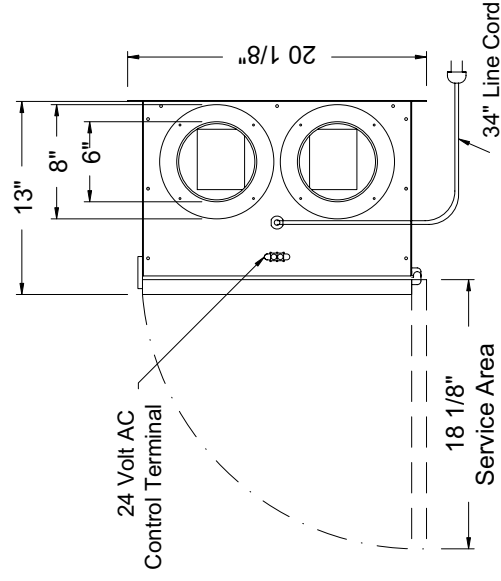


Top View



Front View  
(Door Removed)



Right View

EA: Exhaust Air to outside  
 OA: Outside Air intake  
 RA: Room Air to be exhausted  
 FA: Fresh Air to inside

Customer Approvals

Scale: 1" = 12"  
 Do not scale drawing

EV130 Dimensions

© RenewAire LLC, 2003

