

*GEO-THERMAL LOOP PUMP MODULE*

# *GEO-FLO* **GPM-2** *WITH FOAMED CABINET*

## *FEATURES*

- Full-flow 1" brass valves
- Foam insulated cabinet stops condensation
- Fully assembled and leak tested
- Compatible with all brands
- Choose between (4) Grundfos circulators
- Standard 1" NPT connections
- Circulators and valves easily serviceable
- Quiet and reliable operation
- Compact attractive design
- Installation hose kits available



**5-YEAR WARRANTY**  
**PARTS & LABOR**

# ***GEO-FLO PRODUCTS CORPORATION***

905 Williams Park Drive, Bedford Indiana 47421 Bus (800)784-8069 Fax (812)275-8523  
Manufacturers of quality geothermal loop pump modules and accessories since 1988

**Operation:**

When the geothermal system is operating, the circulator pump in the GPM module energizes and circulates the liquid solution through the geothermal heat pump and the earth loop, enabling the heat transfer process to occur.

**Installation:**

The GPM series loop pump modules are designed for quick and easy installation. Each module can be wall mounted using the convenient slotted mounting holes provided.

All external liquid connections are standard 1" NPT to accommodate standard fittings. Installation hose kits for most major brands of geothermal heat pumps are available from Geo-Flo to make short work of connecting the module to the heat pump.

Filling and flushing of the heat pump and earth loop is accomplished through the side connections. The two brass valves rotate to four different positions to direct flow in the desired manner. Step by step instructions are included in an installation manual packaged with each module.

Note: Check local codes for specific installation requirements.

**Specifications:**

**Available Grundfos Circulators:**

- All Circulators 1 Phase 60 Hz
- UP26-99F 115 VAC 2.18 A Cast Iron
- UP26-99F 230 VAC 1.07 A Cast Iron
- UP26-116F 230 VAC 1.75 A Cast Iron
- UP26-116BF 230 VAC 1.75 A Bronze

**Approved Liquid Solutions:**

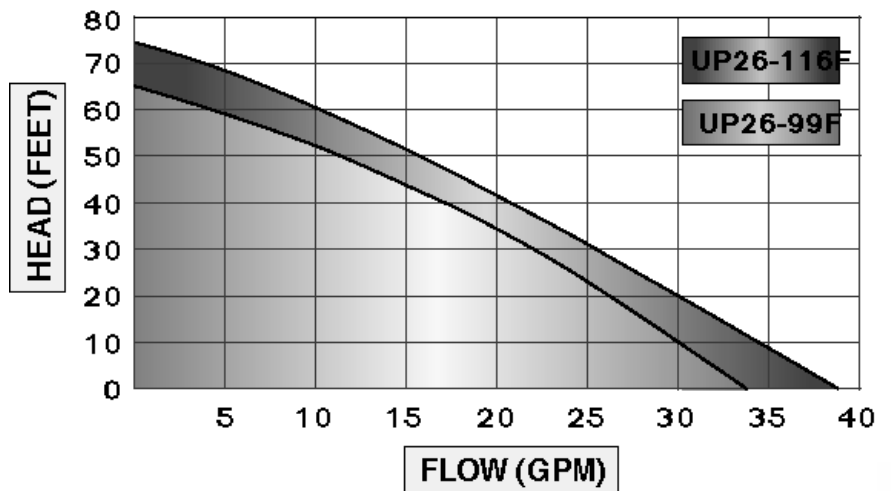
- Methanol
- Propylene Glycol

**Additional Information:**

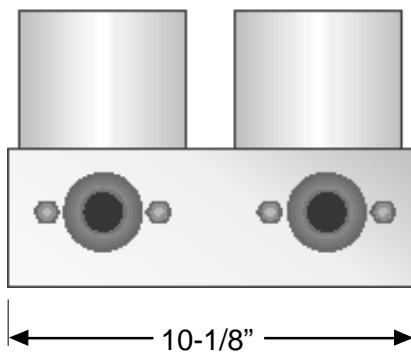
- Minimum Valve Bore: 1.00"
- External Piping Connections: 1" NPT
- Maximum Operating Pressure: 150 PSI
- Minimum Operating Temperature: 20 F
- Maximum Operating Temperature: 120 F

Weight: 43 Lbs

**PERFORMANCE MODEL GPM-2**



**End**



**Side**

